

# COMPACT Rx

WALLBOX FOR ELECTRIC VEHICLES



MENNEKES COMPACT designed for private and semi-public use

# Variants

LED status

## COMPACT Rx

### Charging cable with connector type 2 (version „C2“)

	Bestellnr.
3,7 kW	1359204
7,4 kW	1359205



### Charging cable with connector type 1 (version „C1“)

	Bestellnr.
3,7 kW	1359104



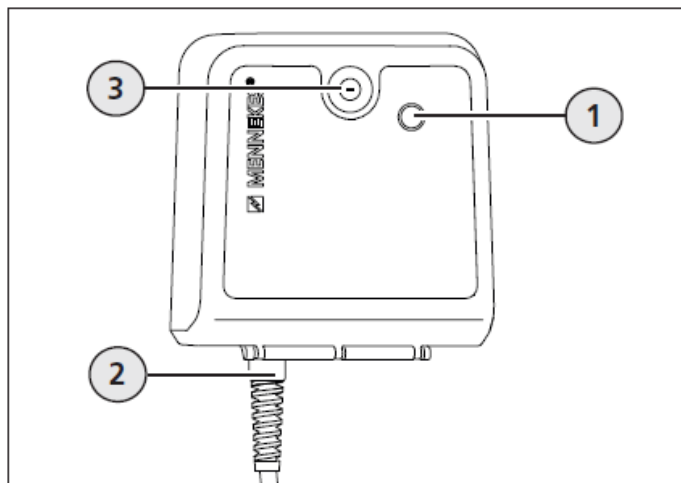
---

## Product features

- Charging acc. Mode 3 (IEC 61851)
- Vehicle connectors and charging socket acc. IEC 62196
- Integrated cable suspension
- Charging capacity up to 7,4 kW (1ph)
- Versions:
  - Permanently connected charging cable with connector type 2 (5m length)
  - Permanently connected charging cable with connector type 1 (5m length)
- RCD Type B included for installation in the upstream power distribution
- Status information via LED light
- Ready wired for installation

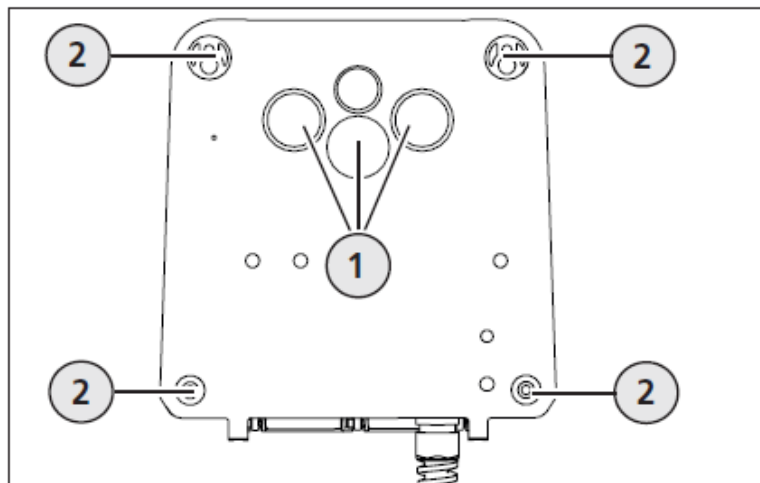
# Assembly

Frontview



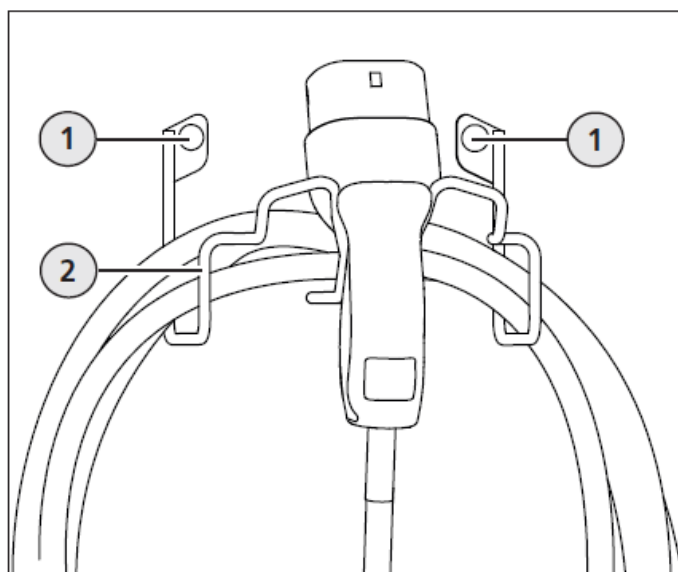
1. LED
2. Permanently connected charging cable
3. Lock

Rear view



1. Possible cable entry
2. Fastening bores

Assembly cable houlder



1. Fastening the cable holder
2. Cable holder

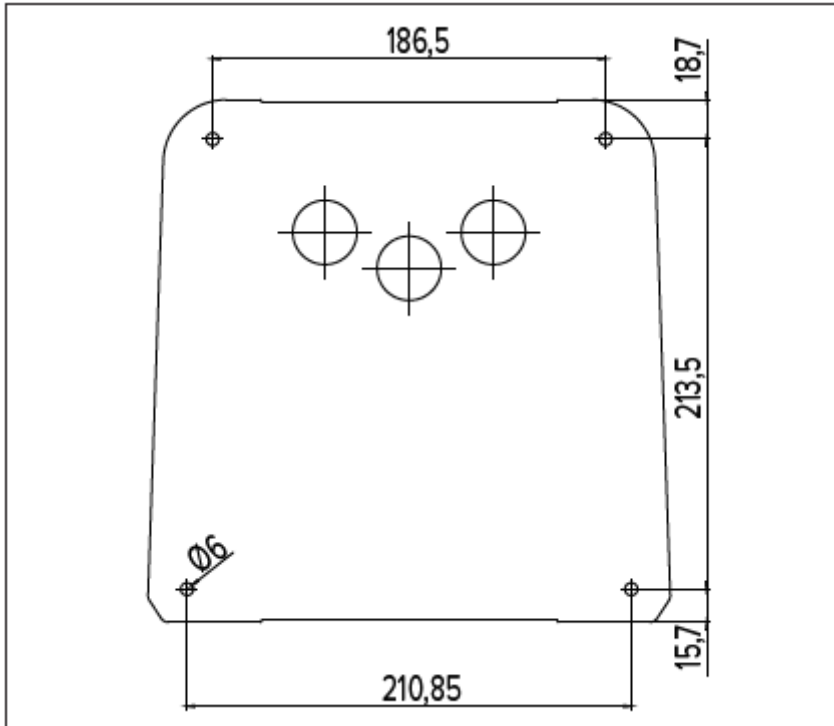
# Technical data

Type-dependent data		1359104	1359204	1359205
Rated voltage $U_N$ [V] AC $\pm 10\%$		230	230	230
Rated frequency $f_N$ [Hz]		50		
Rated Current $I_{nA}$ [A]		16	32	16
Max. backup fuse [A]		20	32	20
Max. charging capacity mode 3 [kW]		3,7	7,4	3,7
Rated current of charging point mode 3 $I_{nC}$ [A]		16 - 1ph	32 – 1 ph	16 - 1ph
Terminal strip supply line	Nominal cross section	3 x 6	5 x 6	3 x 6
	Rated cross section	rigid 3 x 6 mm <sup>2</sup> flexible 3 x 4 mm <sup>2</sup>	rigid 3 x 10 mm <sup>2</sup> flexible 3 x 6 mm <sup>2</sup>	rigid 3 x 6 mm <sup>2</sup> flexible 3 x 4 mm <sup>2</sup>
	Tightening torque	0,8 Nm	1,8 Nm	0,8 Nm
Rated insulation voltage $U_i$ [V]		500		
Rated impulse withstand voltage $U_{imp}$ [kV]		4		
Rated conditional short-circuit current $I_{cc}$ [kA]		10		
Rated diversity factor RDF		1		
Earth system		TN / TT		
EMC classification		A / B		
Protection class		II		
Degree of protection		<ul style="list-style-type: none"> <li>IP 44: Permanently attached charging cable with protective cap</li> <li>IP 54: Enclosure</li> </ul>		
Resistance to mechanical impact		IK 08		
Pollution degree		3		
Setting up		Outdoor or Indoor		
Usage		ACSEV		
Condition of installation		Stationary		
Mounting method		Wall mounted		
Dimensions H x W x D [mm]		280 x 260 x 110		
Standard		DIN EN 61851-1, DIN IEC / TS 61439-7		

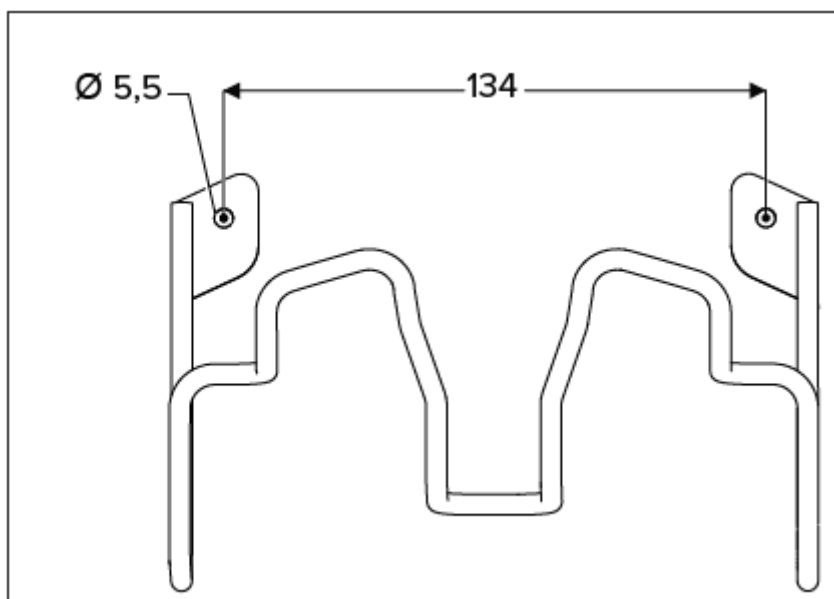
Environmental conditions	
Ambient air temperature	-25...+40°C
Average temperature within 24 hours	< 35°C
Storage temperature	-25...+40°C
Altitude	max. 2000m above sea level
Relative humidity	max. 95% (non condensing)

# Mounting distance [mm]

Device drilling dimensions



Cable holder drilling dimension



**MENNEKES**

Elektrotechnik GmbH & Co. KG

Aloys-Mennekes-Straße 1  
57399 KIRCHHUNDEM  
GERMANY

Phone: + 49 2723 41-1

Fax: + 49 2723 41-214

[info@MENNEKES.de](mailto:info@MENNEKES.de)

[www.MENNEKES.de](http://www.MENNEKES.de)

[www.chargeupyourday.de](http://www.chargeupyourday.de)